

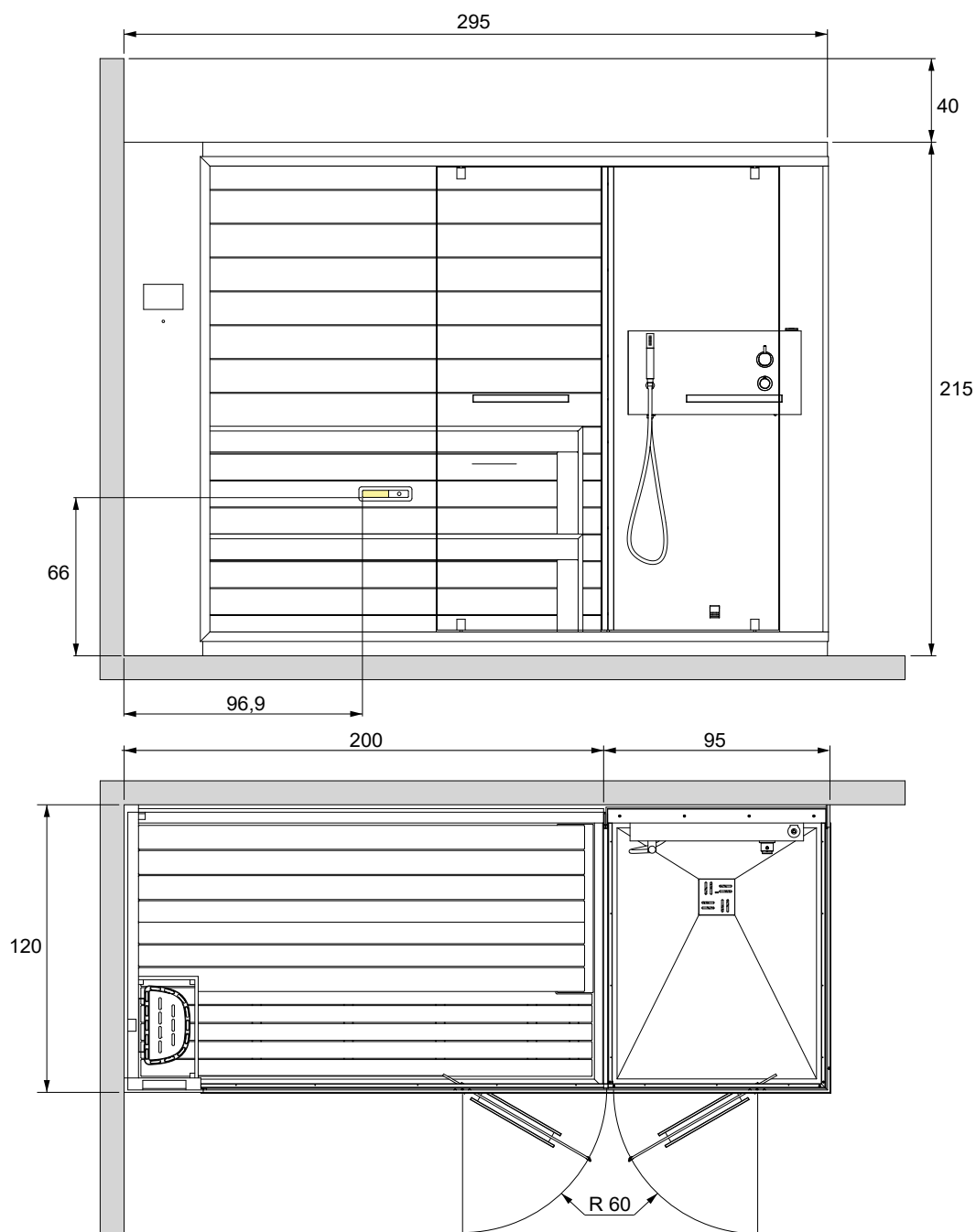
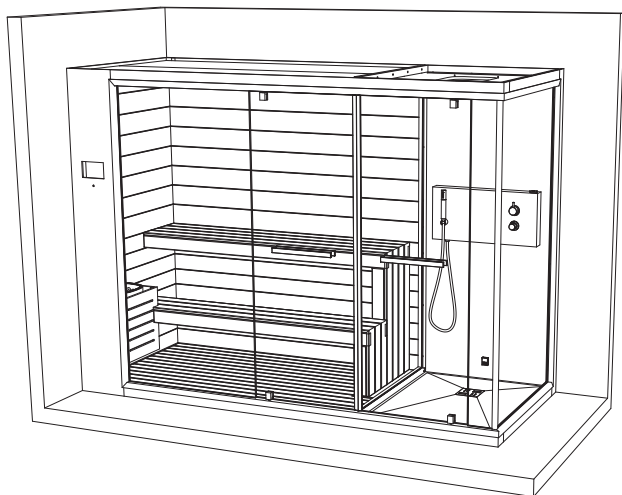
# ETHOS

295 x 120 x H.215

SAUNA + SHOWER with Turkish bath

VERS. LX

SAUNAVITA®  
calore naturale



The overall dimension values are expressed in centimetres. The actual dimensions may vary by  $\pm 1$  cm.

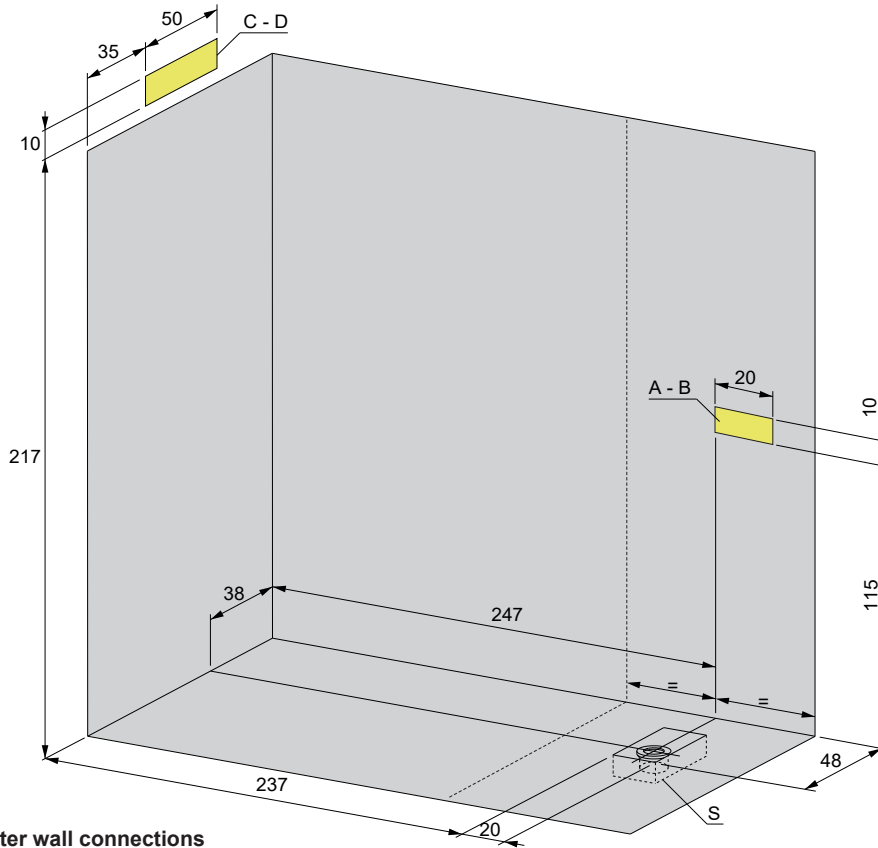
The minimum height of the wall tiles without protrusions is equal to the height of the stall.  
On the walls there cannot be any greca or quarter round decorative patterns.

# ETHOS 295 x 120 x H.215

SAUNA + SHOWER with Turkish bath

VERS. LX

## Electrical and plumbing provisions



### KEY

#### A - B : Water wall connections

A - 1/2" F cold water wall connection (1,5-3,0 BAR).

B - 1/2" F hot water wall connection (1,5-3,0 BAR).

#### C - D : Electrical tube outlet

C - Power cable outlet (SINGLE PHASE OR THREE PHASE)

D - Equipotential cable outlet.

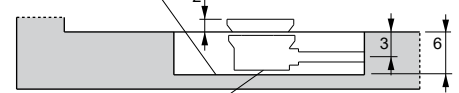
S - Shower drain Ø 40mm.

If the water pressure is higher than indicated, install pressure reducers.

Provide shut-off cocks out of the dimensions of the product for hot and cold water closing.

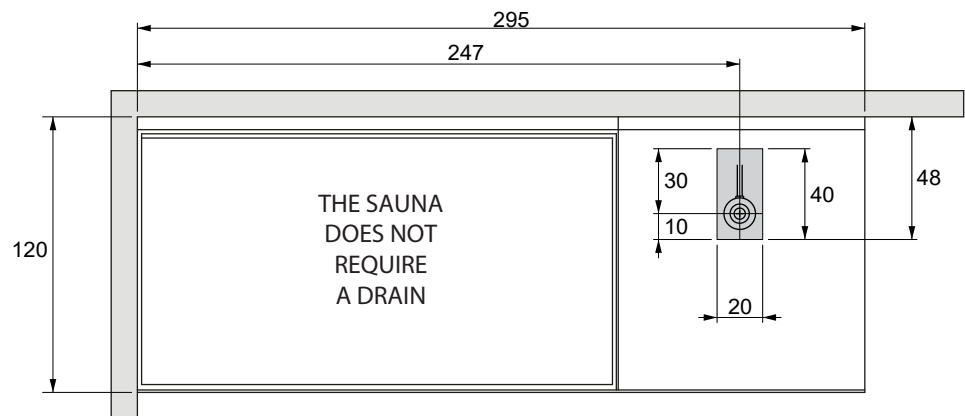
	Operating pressure:
	- MIN 150 kPa (1,5 bar)
	- MAX 300 kPa (3,0 bar)
	Hot water temperature:
	- MAX 60°C (140°F)

Provide waterproof sheathing



Tube with sleeve Ø 40mm

CARATTERISTICHE ELETTRICHE		RESISTENZA	KW	KW tot.	TEMPERATURA MASSIMA
230 V ~ 50/60 HZ	SAUNA	3 x 1500 W	4.5	7.0	100 °C
	HAMMAM	1 x 2500 W	2.5		50 °C
400 V 50/60 HZ 3N ~	SAUNA	3 x 1500 W	4.5	7.0	100 °C
	HAMMAM	1 x 2500 W	2.5		50 °C



### GRUPPO GEROMIN S.r.l.

Via I° Maggio n°5 (zona Industriale)

30029 San Stino di Livenza VE

Tel. +39 0421 312249 / +39 0421 312250

http: www.gruppogeromin.com - email: info@gruppogeromin.com